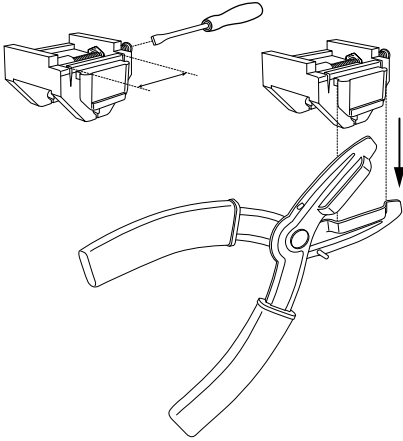


25mm Slat Scissors

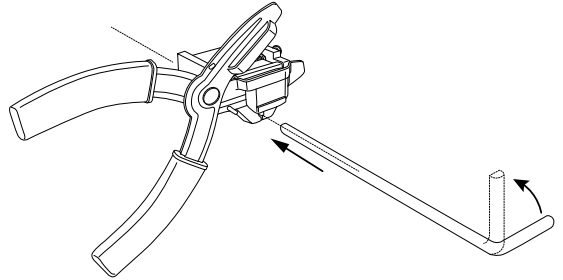
Instructions for use

First shorten the headrail and bottom bar according to instructions enclosed with the Venetian Blinds. Subsequently, adjust the slats by:

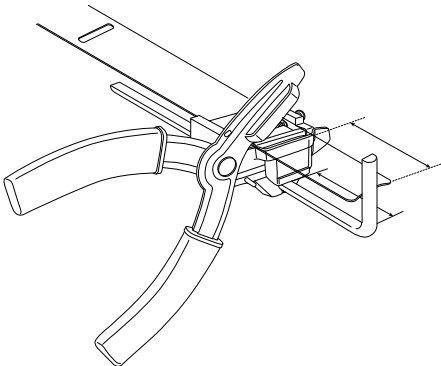
- 1 Adjust to the slat width.



- 2 Insert the measuring gauge – rotate to lock.



- 3 Determine the length to trim off each slat: Measure the difference between current blind width and your desired width, then halve the difference. This gives the amount to trim off each end of the slats.



- 4 Trim an equal amount off each end of the slats to adjust the blind to the correct width. For best results cut one slat at a time **ONLY**.

