

25mm Slat Cutters

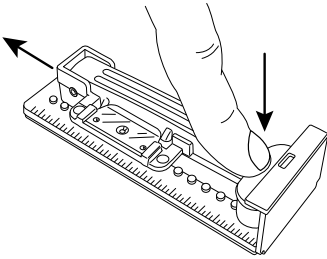
Instructions for use



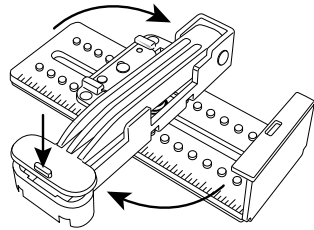
RENAISSANCE

First shorten the headrail and bottom bar according to instructions enclosed with the Venetian Blinds. Subsequently, adjust the slats by:

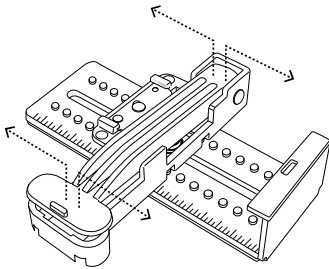
- 1 Push down and pull back the cutter top part



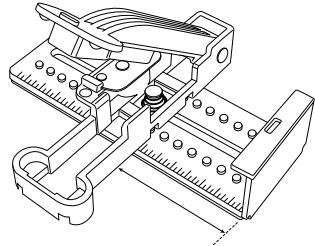
- 2 Swivel the cutter 90° clockwise till it locks



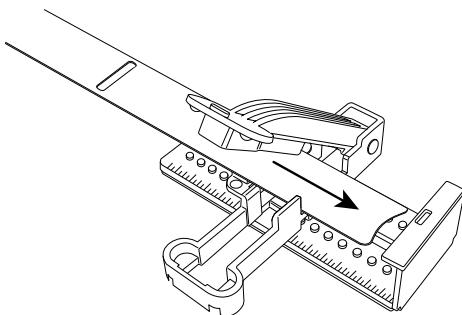
- 3 Lift up and then move the cutter left or right to adjust your trim length – use the metric or imperial gauge on the edges to assist you.



- 4 Release again to lock at the appropriate length you wish to cut from your blind slat. (Remember, the amount you trim off each side is **half** the total amount you want to shorten from the headrail).



- 5 Slide blind slats in place and ensure to cut one slat at a time **ONLY**



- 6 To trim, simply push down in a firm fashion, much like you would a paper hole-punch.

