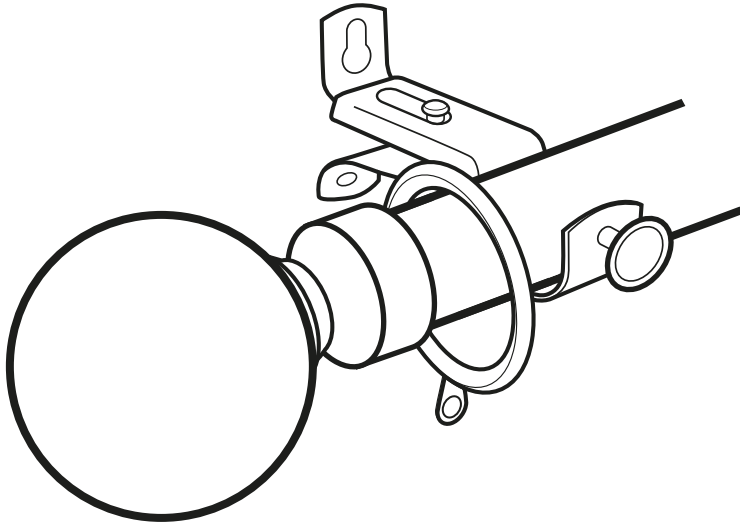
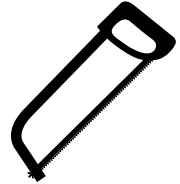
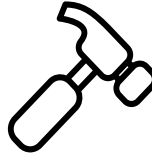
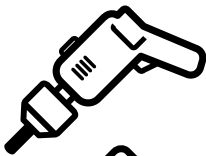


# Orbit Metal Curtain Pole Preparation and Fixing Instructions



Tools required for installation:

To adjust rail length:



# Orbit Metal Curtain Pole Preparation and Fixing Instructions

- 1** Unpack your curtain pole package carefully and lay out the contents consisting of:
  - **Curtain Pole and 2 End Finials**
  - **Curtain Rings to suit (1 per 10cms of pole)**
  - **2 or 3 Brackets (according to pole size)**
  - **Fixing Screws, Wall Plugs & Grub Screws**
- 2** Mark fixing positions for brackets ensuring that they are level (see Fig 1).
- 3** Fix brackets to wall (see Fig 2) ensuring that they are spaced evenly.
- 4** Cut pole to size, allowing for finials to be fitted at each end. Where poles are supplied in two parts they are joined by pushing the two halves together with the pole joiner provided. If you need to shorten the overall length of the pole ensure that an equal amount is trimmed from each half, and that it is taken from the outer ends, so that the centre joint is straight. The centre support should be positioned to cover the join.
- 5** Slide the rings onto the pole and then push on the finials and tighten the grub screw to hold the finial in place (see Fig 3).
- 6** Ensure that at least one ring is positioned on the outside of the brackets (between the bracket and finial at each end). Position the pole centrally into the brackets and then tighten up the rosette screw on the front of the brackets to fasten the pole securely in the brackets (see Fig 4).
- 7** Where centre bracket is provided, please ensure that the ring nearest the centre of each curtain is placed at least 5cm in from that edge (see Fig 5) to allow the curtains to overlap.
- 8** The pole is now ready for curtains to be hung.

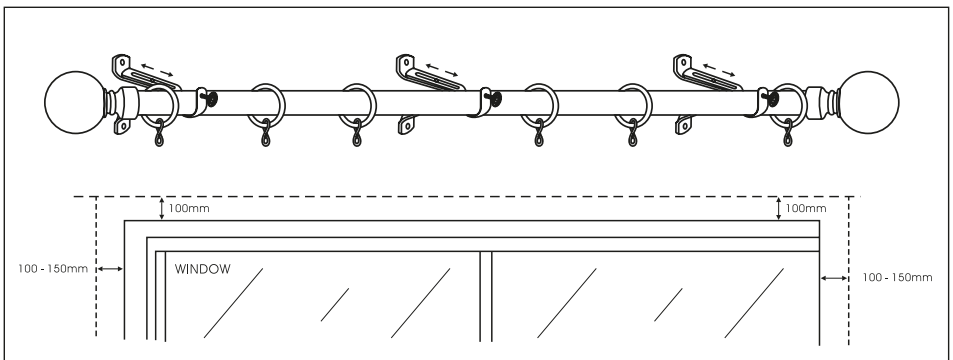


Fig. 1

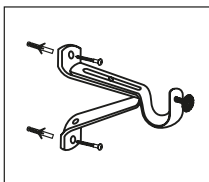


Fig. 2

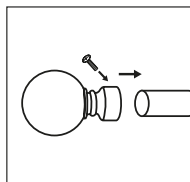


Fig. 3

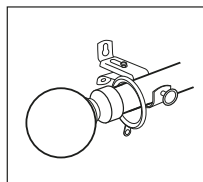


Fig. 4

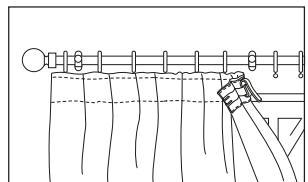


Fig. 5

REN073\_5\_V1