



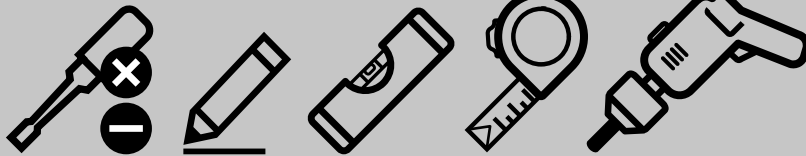
CHILD SAFE
APPROVED

Faux Wood Venetian Blind

Installation Instructions

TOOLS REQUIRED

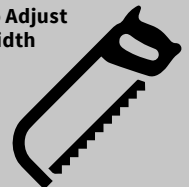
To Install



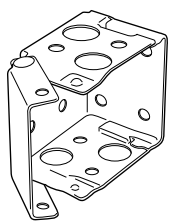
To Adjust
Drop



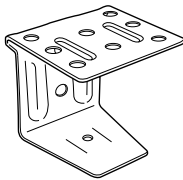
To Adjust
Width



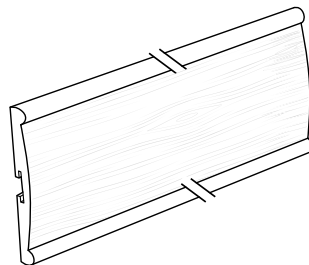
ACCESSORIES ENCLOSED



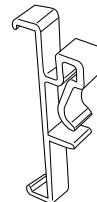
End Brackets



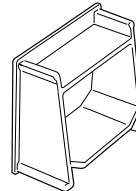
Support
Brackets*



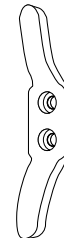
Valance Rail



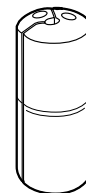
Valance
Clips



Headrail
End Caps



Cleat
Hook



Child Safety
Cord Break*



Screws

*Centre Support Brackets are included in Venetian Blinds 75cm wide and over. Cord Breaks are supplied in Blinds with more than 2 pull strings

HOW TO INSTALL

1. Read and follow Child Safe guidance

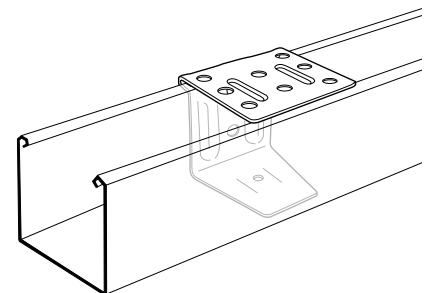
1.1 Carefully read the Child Safety steps outlined in **stage 6**, to ensure that you install the blind at the correct Child Safe height.

2. Position and fix End Brackets

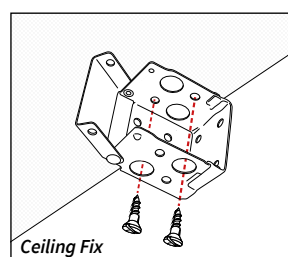
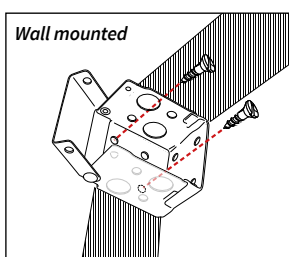
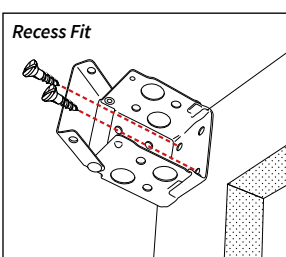
- 2.1 Select your desired position for the blind (options shown below) and measure where it is to hang – ensure it is centred and level with a spirit level.
- 2.2 Pencil mark each side of blind as fixing points of brackets.
- 2.3 Hold end bracket in position with 'door-open' and mark the fix points. Repeat for other side.
- 2.4 Drill holes at your marked fix points and insert screws through the bracket slots and secure them both into place.
- 2.5 Check brackets are correctly positioned. For blinds over 75cm you also need to fix the support bracket in place (see **stage 3**.)
- 2.6 Slide headrail into brackets with the cords out. Close 'doors' securely to lock headrail in place.

3. Fix Support Brackets

- 3.1 Ensure support brackets provided are positioned to line-up exactly and spread out evenly across the space between the end brackets.



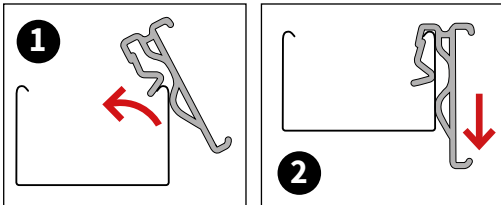
NOTE: The support bracket closest to the pull cord end must be installed. **This is essential!**



4. Attach Valance Rail Clips

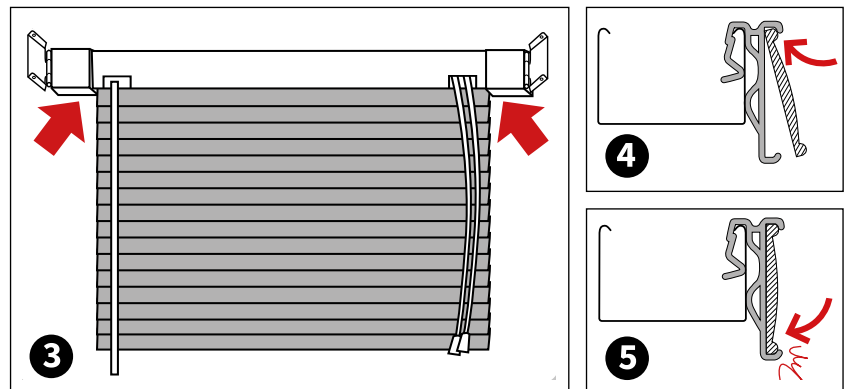
NOTE: Clips must be added prior to putting the headrail into the brackets.

- 4.1 Position the Valance clips in the space between the operating wand and ladder-strings [left] and the main operating string and ladder-strings [right] on the **front** of the headrail.
- 4.2 To install, tilt the clip over the edge of the headrail at a slight angle (fig 1), then pull down to fix into place (fig 2).



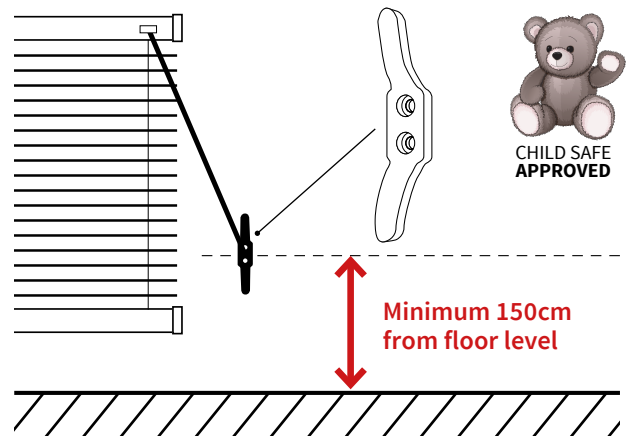
5. Fix Headrail and Valance Rail into place

- 5.1 Slot the headrail into the brackets. Ensure that the blind cords, operating wand and valance clips are facing towards you (fig 3). Once in place, close the bracket covers and the headrail is installed.
- 5.2 Position the Valance Rail edge into the top of the clips at a slight angle (fig 4) then push at the bottom of the rail to snap into place (fig 5).



6. Fitting Child Safety Cord Cleat Hook

- 6.1 Install the Cord Cleat Hook accumulation system as close to the headrail as possible and, in all cases, but not less than 1.5m from the floor.
- 6.2 Hold the cord cleat up parallel with the window frame. Mark dots through the holes. Drill pilot holes and fix the cleat with screws provided.
- 6.3 Wind cord in a figure-of-eight motion around the cleat to keep cords out of reach. Cords should be fully wound around the cleat hook accumulation system so that no part of the cord is left within reach of children.

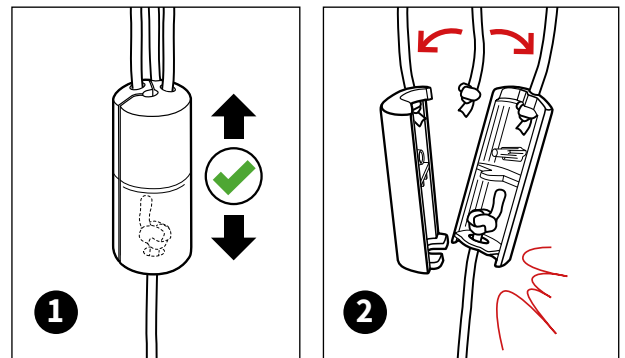


COMPLIANT WITH BS EN 13120: 2009+A1:2014 / 16433 / 16434.

7. Using the Cord Break Child Safety feature

- 7.1 Blinds fitted with more than 2 pull strings will have an additional **Cord Break** attached. The **Cord Break** allows normal operation of the blind (fig 1), but will break if the cords are separated apart (fig 2).
- 7.2 **DO NOT** tie any knots in the strings above the **Cord Break** as it will defeat this important Child Safety feature.

NOTE: Should the Cord Break safety feature separate simply reinsert the loose cords and clip the unit back together.



WARNING



Young Children can be strangled by loops in pull cords, chains, tapes and inner cords that operate the product!

make it safe

To avoid strangulation and entanglement, keep cords out of the reach of young children. Cords may become wrapped around a child's neck. Move beds, cots and furniture away from window covering cords. Do not tie cords together. Make sure cords do not twist and create a loop.

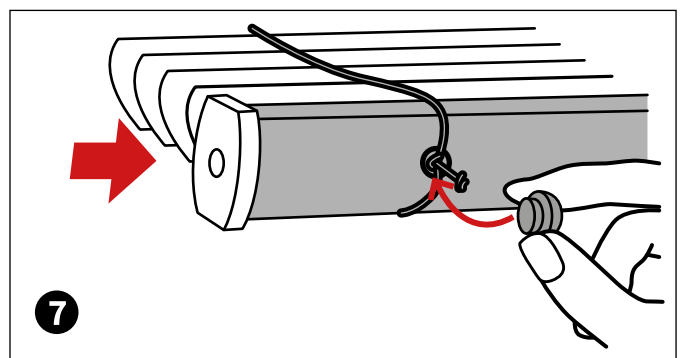
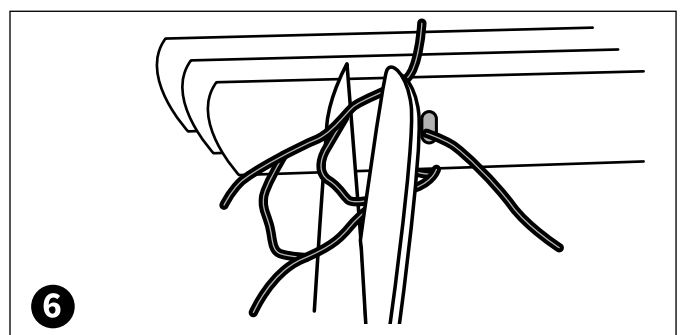
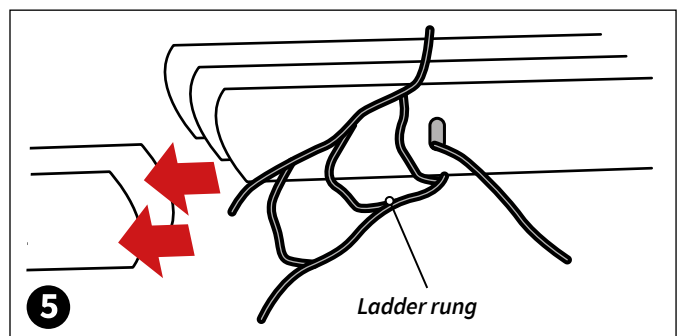
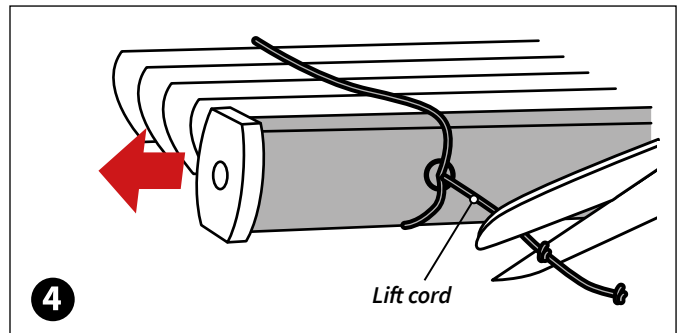
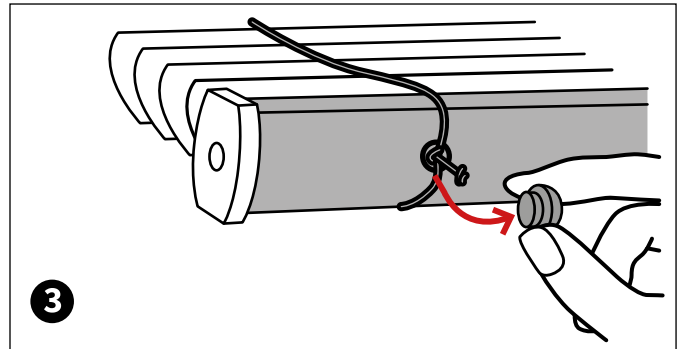
NOTE: Fitting guidelines state that the safety device should keep the cords taut and should not be fitted less than 1.5m from floor level.

Go to www.makeitsafe.org.uk for further details.

NOTE: Before fitting you can custom fit the blind to the correct size by follow the instructions below

8. To shorten the blind drop

- 8.1 When the blind is fully lowered there should be no slats overlapping at the bottom of the blind. If overlapping occurs you can remove slats to allow a custom fit.
- 8.2 Hold the blind at the desired location and allow it to fully lower. In the open position the slats should be approximately 2cm apart.
- 8.3 Lay blind on a flat surface and remove the caps on the bottom weight bar. The caps cover the lift cords (fig 3).
- 8.4 Cut lift cord 2cm above cap and remove. Pull the lift cord from the bottom weight bar to allow it to slide out of the ladder rung (fig 4).
- 8.5 Count the number of slats you wish to remove. Pull the lift cord from these slats to allow them to slide out of the ladder rung and remove the required number of slats (fig 5).
- 8.6 Remember to allow for the bottom weight bar to be reinserted, then thread the lift cord back through the cap holes.
- 8.7 Knot the lift cord directly beneath the bottom weight bar and cut off excess cord (fig 6). Allow one extra rung and cut off excess ladder, now tuck remaining ladder into the bottom weight bar cap holes.
- 8.8 Put back in place the caps securely in place on the bottom weight bar (fig 7).
- 8.9 After blind is shortened you may wish to adjust the pull cord length. Remove the plastic cover over the knot and cut off excess cord and then re-knot.



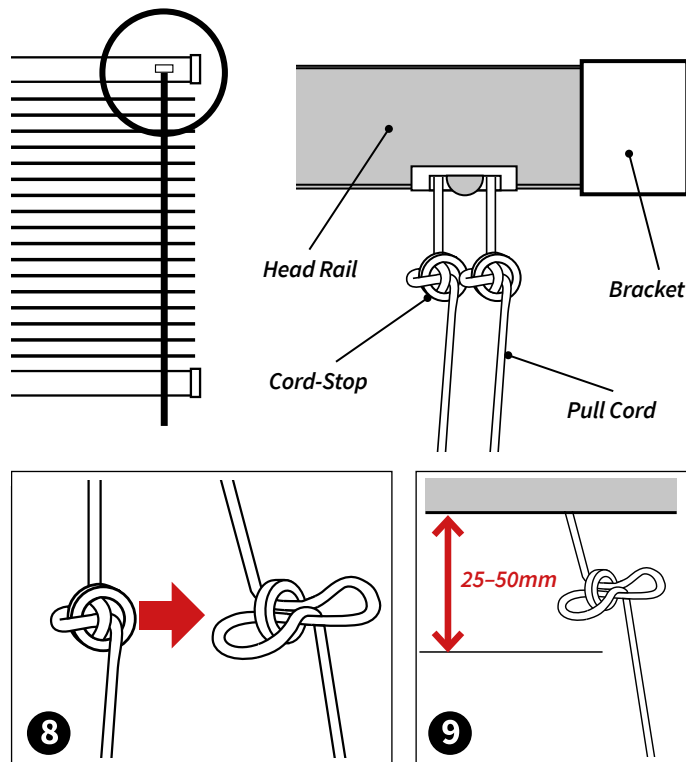
9. To reduce the blind width

NOTE: Your Faux Wood Venetian blind can also be trimmed by up to 80mm each side (160mm max total)

- 9.1 Measure the overall width of the outer distance of the mounted end support brackets and deduct 5mm to get the desired finished blind width.
- 9.2 Calculate the amount that needs to be cut off the blind headrail and remove headrail end caps.
- 9.3 Divide this measurement by two, then mark and cut this amount equally off each side of headrail using a hacksaw. Reinsert headrail end caps after cutting.
- 9.4 Remove the end caps on the bottom weight bar and shorten this in the same manner, then reinsert the end caps.
- 9.5 Then using a saw, trim the same measurement off end of each slat.

10. Position safety cord-stops

- 10.1 Install the blind as detailed in **Steps 1 to 9**, making sure the head rail is securely fastened. Lower blind to maximum desired length and lock in to place.
- 10.2 Measure the distance from head rail to cord-stops. If cord-stops are 25–50mm below the head rail, no further adjustment is needed and your blinds are ready to use.
- 10.3 If cord-stops **ARE NOT** 25–50mm below the head rail, loosen (but do not untie) the knot surrounding the cord-stop (*fig 8*).
- 10.4 Push both the cord-stop and the loosened knot toward the head rail until the cord-stop is 25–50mm below the head rail (*fig 9*).
- 10.5 Hold cord-stop in place and pull firmly on pull cord to re-tighten knot.
- 10.6 Repeat 10.3 through to 10.5 for each cord-stop.



HOW TO OPERATE YOUR BLIND

To raise the Blind

Move cord to the left then pulling it down gently until cord lock releases.

Pull cord down towards the left until blind reaches desired position (*fig 1*), then move cord to the right and release (*fig 2*). The blind will lock automatically.

To lower the Blind

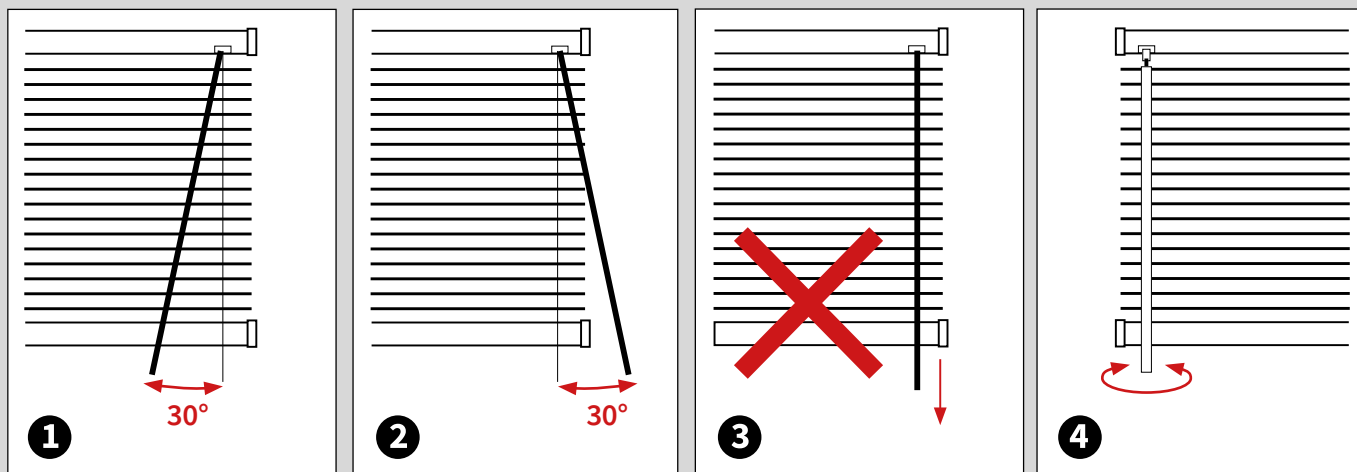
Move cord to the left then pull it down gently until cord lock releases. Allow blind to descend until it reaches the desired position. Move cord to the right and release, the blind will lock in position automatically.

WARNING: Do not pull the cord downward directly - this may break the blind! (*fig 3*)

To tilt the Blind Slats

Rotate the slat operating 'wand' on left side of blind either clockwise or anti-clockwise to attain desired slat positions (*fig 4*).

IMPORTANT: Always adjust the tilt of the blind slats to horizontal before raising or lowering the blind as this helps to increase the life of the blind.



BLIND MAINTENANCE

Use a damp cloth or duster to clean your blind. **No not use any bleach based liquids or solvents.**