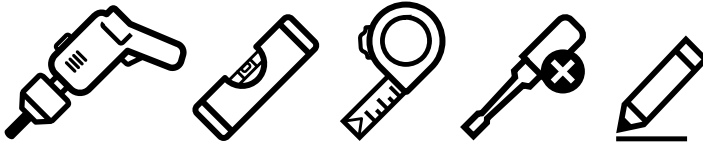


Plastic Curtain Track Coil Preparation and Fixing Instructions



Tools required for installation:

To adjust length:



Tips & advice

Take care to prevent the coil springing open when the cable tie is removed!

Read these fitting instructions fully and check that the contents of the pack is complete.

To help straighten the track before installation or cutting to size we recommend that the coil be immersed in hot water for approx 2 mins.

Do not use boiling water and wear protective rubber gloves when using hot water. Then gently reverse the bending slowly from one end to the other – reheating may be required. Ensure you dry the track before fitting.

Use the correct wall plugs to hold screws and always wear eye protection when drilling.

Installing and assembly

- 1 Measure out and cut the lengths of track you require for each window.

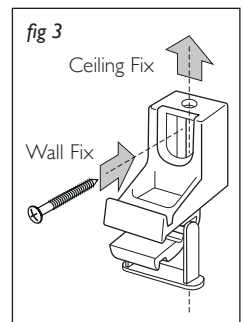
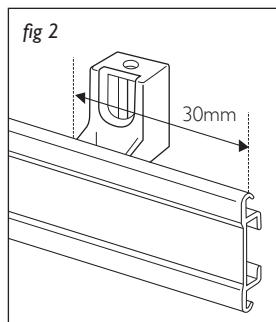
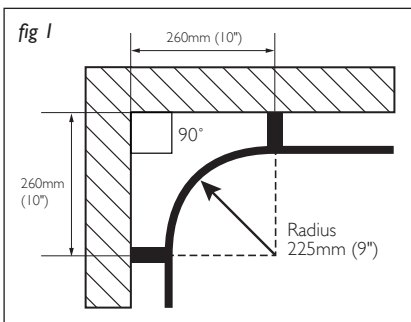
If your are allowing for a curve when working within a bay window the bend should have a minimum radius of 225mm (9in). *fig 1*

Using a pen or pencil, mark the position of the track above the window using a spirit level.

- 2 Mount a bracket at each side of the window inset 30mm from the ends of the track. *fig 2*

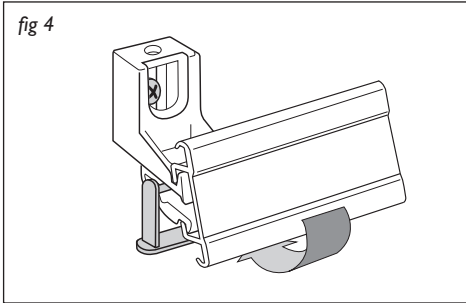
NOTE: The brackets can be use for either top/ceiling fix or front/wall fix. *fig 3*

Space out the remaining brackets evenly between the two end brackets with a gap of around 365mm between brackets.

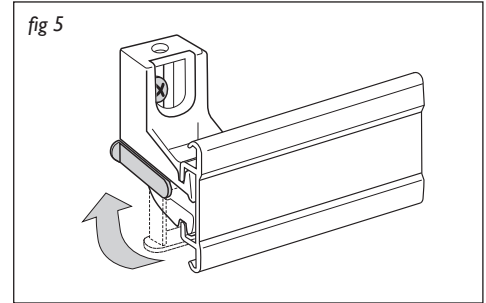


Plastic Curtain Track Coil Preparation and Fixing Instructions

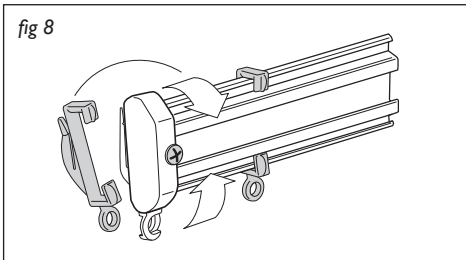
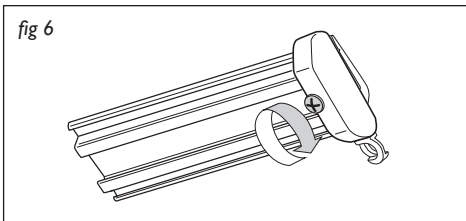
- 3** When all the brackets have been mounted you can now ready to clip the track in place. Rotate the track at a slight angle and clip the top part of the bracket first – then push the lower part down in place on the bracket. *fig 4*



- 4** Once in place push the locking lever on each of the brackets upwards to clamp the track into position. *fig 5*



- 5** Now that the track is in place you can fit the end stops into place. These slide onto the track end and held in place by tightening the locking screws. *fig 6*
You are now ready to hang your curtains.



- 6** Insert the hooks provided at evenly spaced intervals of approximately 8cm into the curtain tape pocket. The rings beneath each hook can only be used with special pleating tapes.
Engage the bottom of the curtain hook with your track – then 'snap' the top of the hook over the track and repeat with the remaining hooks until complete. *fig 7 & 8*

