

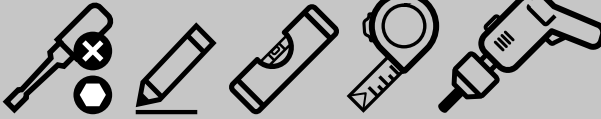
Roman Blind Closed Cassette

Lift Rail System with Wheel & Chain Release
and Clip-In Adjustable Cord Stopper with Hole

Installation Instructions

TOOLS REQUIRED

To Install



To Adjust Width



Please read all safety warning instructions before installation
and keep them in a safe place for future reference.

HOW TO INSTALL

To shorten the rail size

Step 1 Remove the end cap from the headrail
(at the opposite end from the control end with the chain).



Step 2 Unlock and slide back cord roller unit using the cord to pull it away from the end you will be cutting *(to unlock simply twist the clear tab 90°).*



Step 3 Mark the distance you want to remove and using a saw, cut through the headrail and tiltrod.

TIP: Move the roller to just before cut point, this supports the axle bar for easier cutting



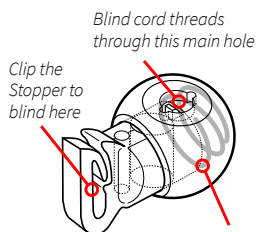
Step 4 Once cut, put the end cap back in place and reposition and secure the cord roller *(to lock simply twist the clear tab back 90°).*



Assembly instructions and use of child safety devices

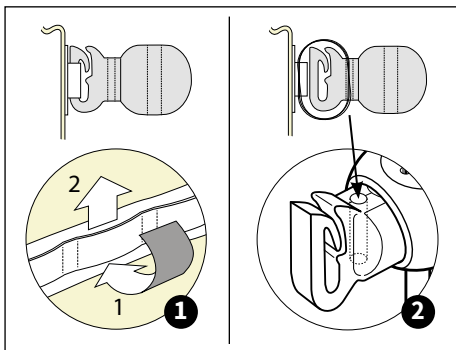
1. Place the blind face down and place the rail onto the soft loop tape heading on your blind (see fig 4 below). Line-up the cord rollers – to adjust positions twist the lock mechanism to unlock and twist back to re-lock in the desired place. Ensure all cords are fully unwound and equal length.
2. Clip the **Clip-In Adjustable Cord Stoppers with Hole** into the tape on bottom fold (fig 1). Alternatively you can sew-in to the bottom fold through the small hole in the Cord Stopper close to the clip (fig 2) – See the back page of these instructions for full positioning details.
3. Thread cords through the guides in the tape which has been sewn on to each of the folds in the rear of the Blind and then through the main hole in the **Clip-In Adjustable Cord Stopper with Hole**.
4. Do NOT tie a knot in the lifting cords as this will compromise the safety feature of the device.
5. Confirm chain is the correct drop for the fitting requirements and safety compliance – change if required. Ensure the Safety Cord Guide is fitted.

NOTE: Safety devices must be used to 'Make It Safe' for compliance



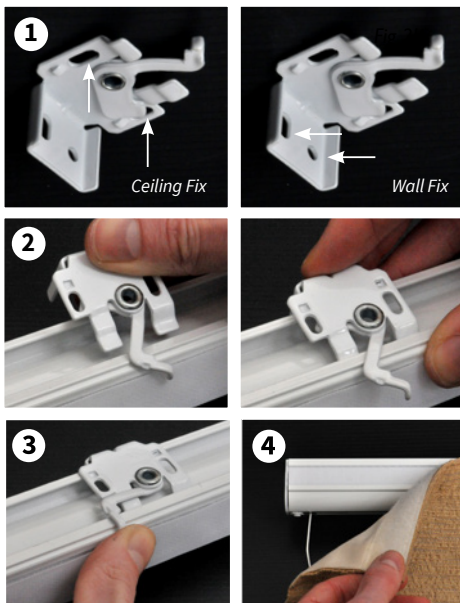
Clip-In Adjustable Cord Stoppers with Hole

Strong compression spring to clamp cord



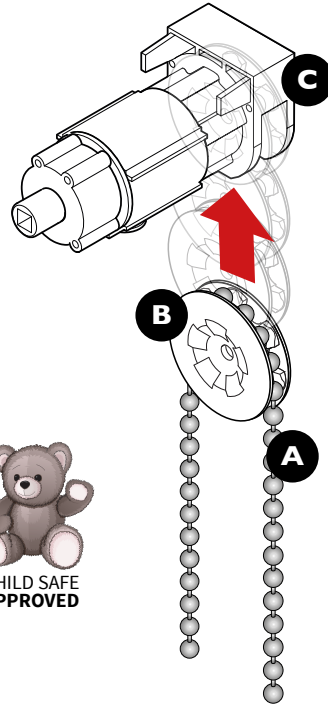
Headrail installation

1. Mark bracket hole positions on the wall or ceiling (fig 1).
2. Drill holes and fix bracket in place using screws provided.
3. Take the assembled blind & headrail and detach the top of the blind from the headrail (fig 4).
4. Place the headrail profile up to brackets. Tilt the headrail forwards and insert into bracket, then tilt back to the straight position to ensure the bracket has 'clicked' firmly in place (fig 2).
5. Secure the headrail by moving the locking arms into place (fig 3).
6. Affix the top of the blind back to the headrail (fig 4).



How to use the Wheel & Chain Release Safety Device

1. Install the Closed Cassette blind as normal according to local installation guide lines and instructions.
2. Position your continuous chain **A** around the control unit wheel **B**
3. Insert the wheel **B** together with continuous chain **A** into the slot of the control unit **C** – position the side of the wheel with the steel pin towards the outside of the control unit.



N.B. The control chain must be placed at a distance of at least 60 cm from the floor. If the roman blind has not been installed according to steps 1 through 3 or if after placement changes are made to the Roman blind system which are not in conformity with the Child Safety requirements arising from the European standards as mentioned under 'warning' on this label below, we cannot be held liable for the resulting damage.



The Wheel and Chain will release from the Gear Housing to meet the 6kg testing requirement.

It's simple to reconnect – just follow the steps as shown above.

WARNING

Young Children can be strangled by loops in pull cords, chains, tapes and inner cords that operate the product.

To avoid strangulation and entanglement, keep cords out of the reach of young children. Cords may become wrapped around a child's neck. Move beds, cots and furniture away from window covering cords. Do not tie cords together, make sure cords do not twist and create a loop.

Installing this device reduces the hazards of strangulation or entanglement as the Wheel and

Chain will release from the Gear Housing to meet the 6kg testing requirement. Using this device removes the need for wall fixed chain tension devices and allows chains to be fitted 60cm from the ground. The use of this and other child safe devices help reduce the risk of strangulation, but vigilance is always required.

Go to www.makeitsafe.org.uk for further details.



It is the responsibility of both the blind maker and installer to check and confirm the blind is safe according to the standards. We advise you keep these instructions for future reference.

Positioning of Child Safety Devices

