

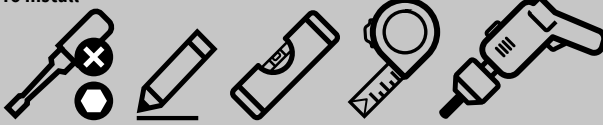
Roman Blind Safe-Release™ Kit

Closed Cassette System with Safe-Release™ Device
and Clip-In Adjustable Cord Stoppers with Hole

Installation Instructions

TOOLS REQUIRED

To Install



To Adjust Width



Please read all safety warning instructions before installation
and keep them in a safe place for future reference.

HOW TO INSTALL

To shorten the Headrail size

Step 1 Remove the End Cap from the Headrail (at the opposite end from the control end with the chain).



Step 2 Unlock and slide back the Fast-Fit Cord Roller unit using the cord to pull it away from the end you will be cutting (to unlock simply twist the clear tab 90°).



Step 3 Mark the distance you want to remove – make sure you allow 2mm for the End Cap going back on! Then using a saw, cut through the Headrail and Axle Bar.



! TIP: Move the Roller to just before cut point, this supports the Axle Bar for easier cutting!

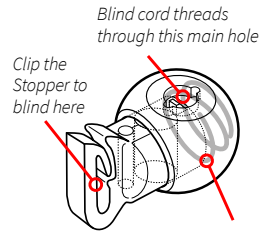
Step 4 Once cut, put the End Cap back in place and reposition and secure the Fast-Fit Cord Roller (to lock simply twist the clear tab back 90°).



Assembly instructions and use of child safety devices

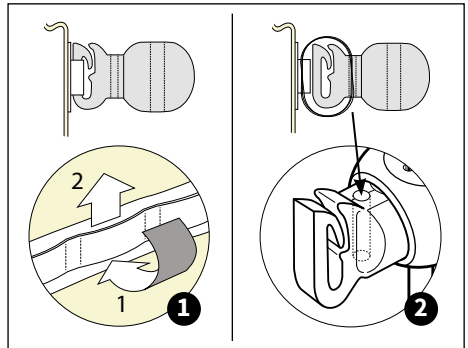
1. Place the blind face down and place the rail onto the soft loop tape heading on your blind (see fig 4 below). Line-up the cord rollers – to adjust positions twist the lock mechanism to unlock and twist back to re-lock in the desired place. Ensure all cords are fully unwound and equal length.
2. Clip the **Clip-In Adjustable Cord Stoppers with Hole** into the tape on bottom fold (fig 1). Alternatively you can sew-in to the bottom fold through the small hole in the Cord Stopper close to the clip (fig 2) – See the back page of these instructions for full positioning details.
3. Thread cords through the guides in the tape which has been sewn on to each of the folds in the rear of the Blind and then through the main hole in the **Clip-In Adjustable Cord Stopper with Hole**.
4. Do NOT tie a knot in the lifting cords as this will compromise the safety feature of the device.
5. Confirm chain is the correct drop for the fitting requirements and safety compliance – change if required. Ensure the Safety Cord Guide is fitted.

NOTE: Safety devices must be used to 'Make It Safe' for compliance



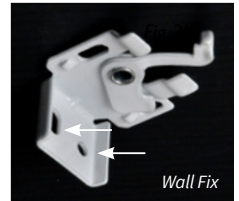
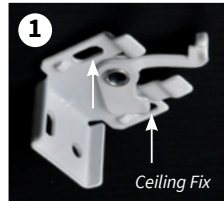
Clip-In Adjustable Cord Stoppers with Hole

Strong compression spring to clamp cord



Headrail installation

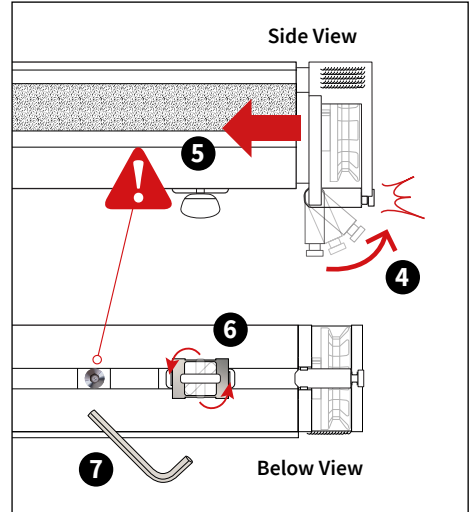
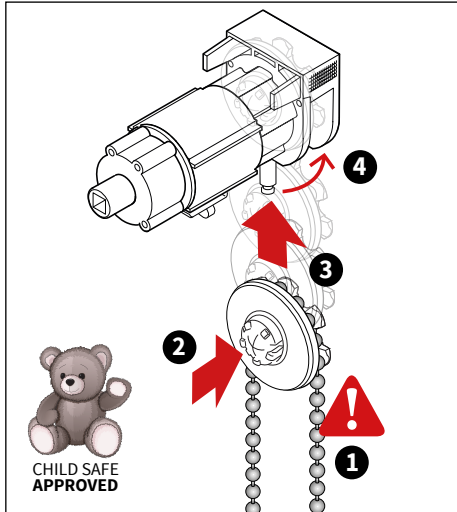
1. Mark bracket hole positions on the wall or ceiling (fig 1).
2. Drill holes and fix bracket in place using screws provided.
3. Take the assembled blind & headrail and detach the top of the blind from the headrail (fig 4).
4. Place the headrail profile up to brackets. Tilt the headrail forwards and insert into bracket, then tilt back to the straight position to ensure the bracket has 'clicked' firmly in place (fig 2).
5. Secure the headrail by moving the locking arms into place (fig 3).
6. Affix the top of the blind back to the headrail (fig 4).



How to install and use the Safe-Release™ Device

Make sure you wrap the operating chain round the Safe-Release wheel (fig 1) before you insert into the chain housing. Then squeeze the spring side of the wheel (fig 2) and push the wheel & chain into the slot – with the spring wheel facing towards the mechanism (fig 3). When fully inserted the pivot lock can be closed (fig 4).

If not inserted already, the housing simply slides into the headrail as shown above (fig 5) **NOTE:** Make sure that the Axle Bar connection screw is positioned correctly and the tab lock is open. When fully inserted and flush with the headrail twist the tab lock to secure (fig 6) and fix the Axle Bar via the screw from below (fig 7).



CHILD
SAFE
BREAK
POINT



The Wheel and Chain will release from the Gear Housing to meet the 6kg testing requirement. It's simple to reconnect – just follow steps 1 to 4 as shown above.

WARNING

Young Children can be strangled by loops in pull cords, chains, tapes and inner cords that operate the product.

To avoid strangulation and entanglement, keep cords out of the reach of young children. Cords may become wrapped around a child's neck. Move beds, cots and furniture away from window covering cords. Do not tie cords together, make sure cords do not twist and create a loop.

Installing this device reduces the hazards of strangulation or entanglement as the Wheel and

Chain will release from the Gear Housing to meet the 6kg testing requirement. Using this device removes the need for wall fixed chain tension devices and allows chains to be fitted 60cm from the ground. The use of this and other child safe devices help reduce the risk of strangulation, but vigilance is always required.

Go to www.makeitsafe.org.uk for further details.



It is the responsibility of both the blind maker and installer to check and confirm the blind is safe according to the standards. We advise you keep these instructions for future reference.

Positioning of Child Safety Devices

