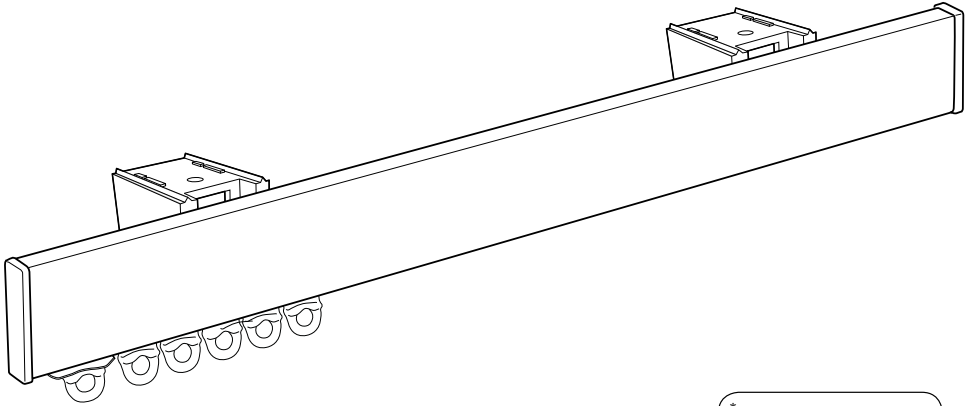


Metal Curtain Track

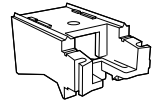
Preparation and Fixing Instructions



These fitting instructions are suitable for the following tracks:

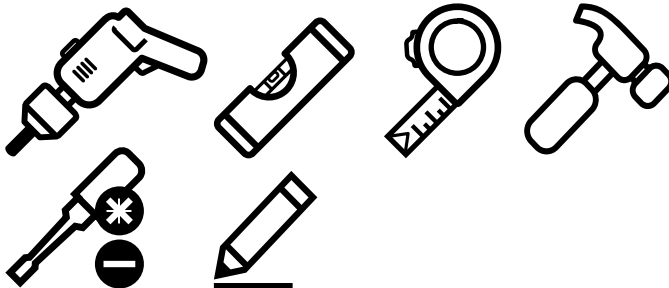
- Optimal H-Section
- Principal H-Section
- Heavy Duty H-Section
- Professional
- Mini-Optimal*
- Mini-Professional*

*NOTE: Metal Track Kit
Bracket designs may vary

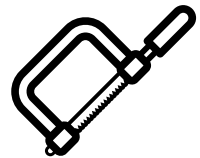


These instructions show 4cm
Standard Wall/Ceiling Bracket.

Tools required for installation:

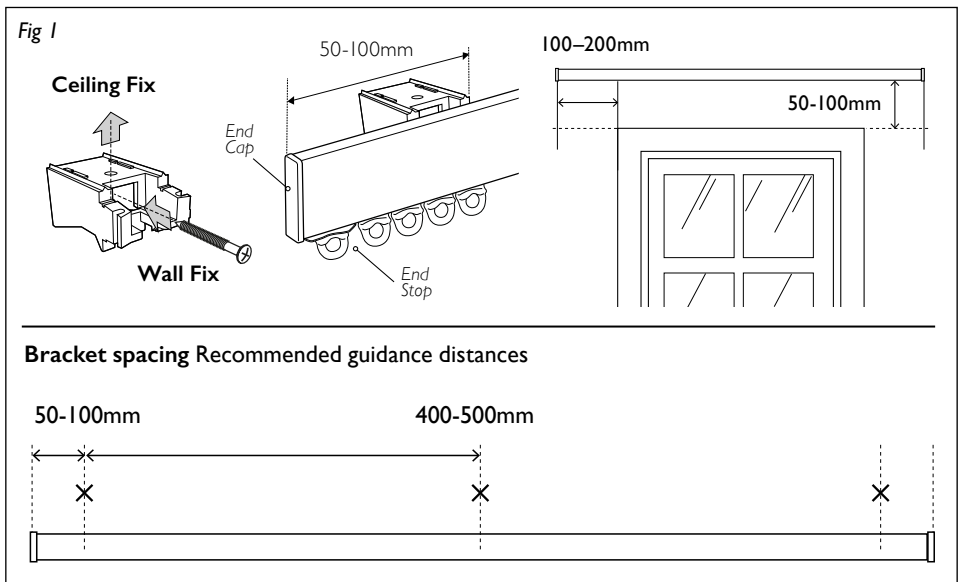
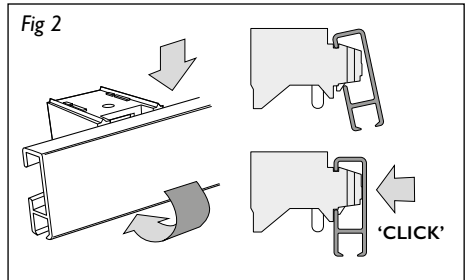


To adjust track length:



Metal Curtain Track Preparation and Fixing Instructions

- 1 Unpack your Curtain Track Kit package carefully and check the contents:
 - **Curtain Track**
 - **Track Joiner** (if track is in 2 pieces)
 - **End Caps** x2
 - **End Stops** x2
 - **Brackets** (1 per 50cm of Track +1)
 - **Gliders*** (10 per 100cm)
 - **Fixing Screws and Wall Plugs**
- 2 If your track requires cutting down to size this can be easily done using a fine-tooth hacksaw. We recommend that you sand down any rough edges before placing the end caps at either end of the track.
- 3 Where tracks are supplied in two parts use the track joiner provided to join them together. **IMPORTANT:** If you need to shorten the overall length of the track ensure that an equal amount is trimmed from each half. We recommend a bracket be positioned at the centre of the track on the join.
- 4 If you are fixing your track to the wall, we recommend that the track be positioned 150mm above the window or recess (Fig 1).
- 5 Follow the fixing distance guidelines shown below (Fig 1) and mark out the positions and correct spacing for all of your brackets.
- 6 Using the screws and wall plugs provided fix your brackets to the wall or ceiling, again, ensuring that the brackets are spaced evenly along the track.
- 7 Position the track at a 30-45 degree angle above the brackets and push forward and down until the track 'clicks' into place (Fig 2). Follow this process along the track and ensure all the brackets have clicked into place.
- 8 The track is now ready for curtains to be hung.



* If your track is a Surge track then you will be provided with gliders on a string instead